



Why choosing Decimin Control systems

- Project management
- Environmental integration
- Value analysis
- Technical assistance
- Logistics management
- More than 40 years of experience
- Performance guarantee

Acoustic genset canopies

These are designed for application within the energy market.

Our scope Includes :

- Acoustic panels
- Doors and side wall
- Air Inlet and air exhaust silencer
- Exhaust silencer
- Viewing window
- Easy assembly
- Short lead time
- Assembled unit or kit-form

Decimin Control Systems will support you during all the management of your project.

In Technical Collaboration With



Manufactured in India by



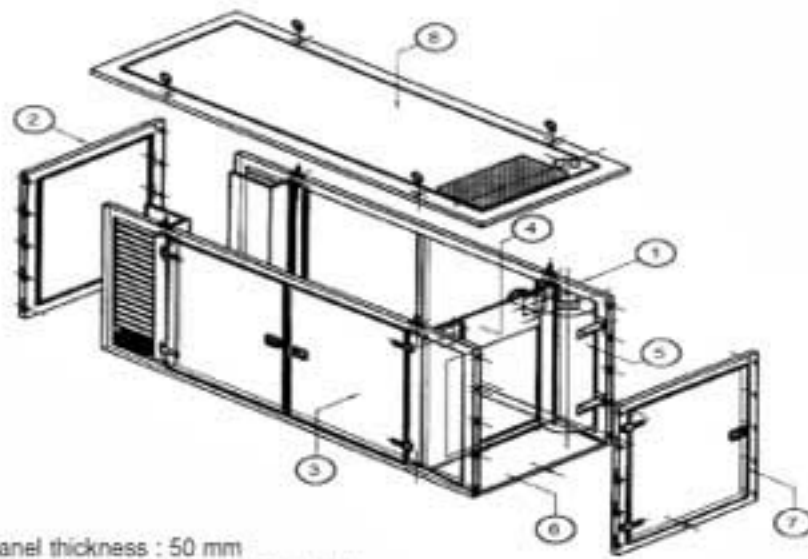
"Pushpa Heights", 1st Floor, Bibwewadi Corner, Pune Satara Road, Pune - 411037.

Tel : +91 020 24212390, 24211347, Fax : +91 020 24212533

E-mail : decimin@decimin.com Website : www.decimin.com

Acoustic genset canopies

TECHNICAL CHARACTERISTICS



- 1 : Side doors
- 2 : Rear panel
- 3 : Side doors
- 4 : Internal partition for cooler
- 5 : Exhaust silencer
- 6 : Retention tank
- 7 : Front panel
- 8 : Roof panel

Panel thickness : 50 mm
Finish painting : standard RAL 7035

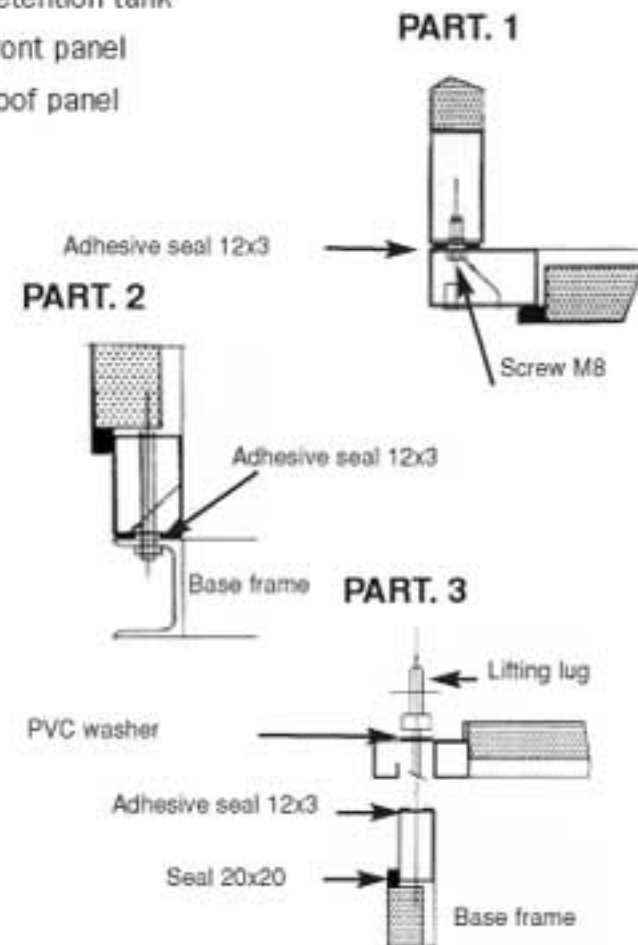
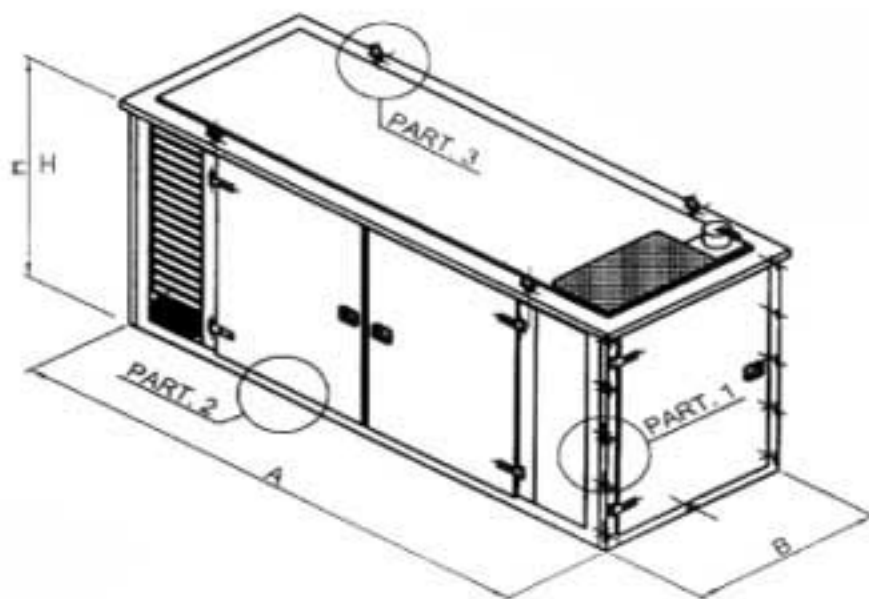


TABLE OF DIMENSIONS

| Model | Power KVA | Length A | Width B | Height H | Lp in dB(A) at 7m* |
|-----------|-----------|----------|---------|----------|--------------------|
| AFL-A70-S | 30-60 | 2505 | 1100 | 1400 | 66 |
| AFL-A70 | 60-130 | 3005 | 1100 | 1400 | 68 |
| AFL-A70-L | 60-130 | 3505 | 1100 | 1400 | 68 |
| AFL-B70 | 150-250 | 3505 | 1250 | 1700 | 68 |
| AFL-B70-L | 150-250 | 4105 | 1250 | 1700 | 68 |
| AFL-C70-S | 250-300 | 4255 | 1500 | 1900 | 70 |
| AFL-C70 | 300-380 | 4505 | 1500 | 1900 | 70 |
| AFL-C70-L | 250-380 | 5005 | 1500 | 1900 | 70 |
| AFL-D70 | 400-550 | 4505 | 1650 | 1900 | 72 |
| AFL-D70-L | 400-550 | 5005 | 1650 | 1900 | 72 |
| AFL-E70 | 600-720 | 5005 | 1800 | 2100 | 72 |
| AFL-E70-L | 600-720 | 5505 | 1800 | 2100 | 72 |
| AFL-E70 | 750-800 | 5005 | 1800 | 2100 | 72 |
| AFL-E70-L | 750-800 | 5505 | 1800 | 2100 | 72 |

Sizes are given in mm. * : Value in dB(A) is given for dominant sound spectrum at 250 Hz.

In Technical Collaboration With



Manufactured in India by



"Pushpa Heights", 1st Floor, Bibwewadi Corner, Pune Satara Road, Pune - 411037.

Tel : +91 020 24212390, 24211347, Fax : +91 020 24212533

E-mail : decimin@decimin.com Website : www.decimin.com